

# Dolphin pro HD+

## 24V 40A Charger



24V40A

TECHNICAL DATASHEET

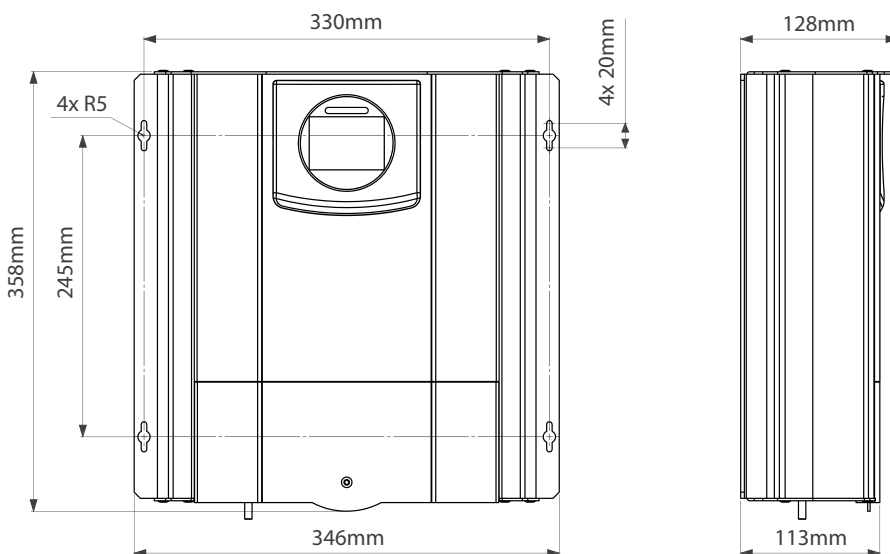


Plug and Play Battery Charger

**Protection:**

- Output overload
- Excessive internal temperature
- Charging voltage too high
- Reverse battery polarity (fuse)

Input Voltage	115V/230V (+/-15%) Automatic Switchover
Frequency	50Hz / 60Hz (+/-10%)
Cos	0.9 typ
Efficiency	0.85
Max. Current 115V/230V	12A/6A
Fuse (5x20mm)	T20A
Outputs	3 isolated outputs
Charging curves	9 programs, position selected by dip switch
Charging curve	IUUo 3 modes
Voltage share	+/-2%
Ripple	< 1%
Fuse (automatic mini)	3 x F30A
Display	Touch screen control panel
Operating Temperature	-10°C to +65°C
Operating Humidity	10% to 95% (without condensation)
Ventilation	Forced fan adjustable speed cooling
Security	EN60335-29-2
EMC	Emission EN55014-1
Housing	Powder coated aluminium and composite materials (LED display)
Mounting	Wall mounted 4 x M4 screws
Dimensions	346 x 358 x 128 mm
Weight	6 Kg
DC connection	4 M8 terminals
Battery terminal	2 pins max 10mm <sup>2</sup> terminal, M6 bolt for ground
Output alarm contact	1A 30V NO
Battery temp. sensor	2 pins terminal 1,5 mm <sup>2</sup> max
CAN bus connection	RJ11



**Part No.** 399165    **Model** 24V 40A

Proudly distributed by:



16 Parkinson Lane  
O'Connor WA 6163  
Australia

**Phone** +61 8 9331 3100  
**Fax** +61 8 9331 5150  
**Email** [mail@amelec.com.au](mailto:mail@amelec.com.au)  
**Web** [www.amelec.com.au](http://www.amelec.com.au)