

# Dolphin pro

## 24V 100A Charger

24V100A

TECHNICAL DATASHEET

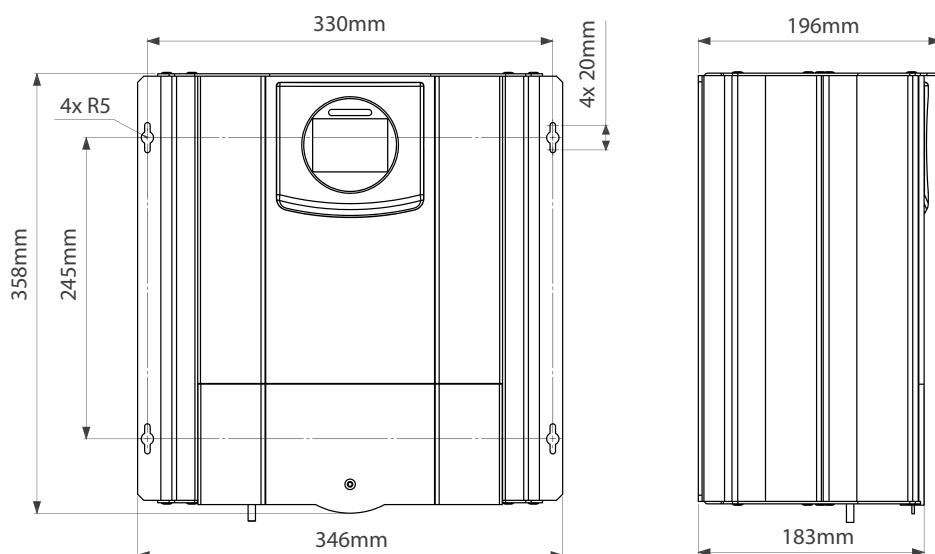


Plug and Play Battery Charger

**Protection:**

- Output overload
- Excessive internal temperature
- Charging voltage too high
- Reverse battery polarity (fuse)

Input Voltage	230V (+/-15%)
Frequency	50Hz / 60Hz (+/-10%)
Cos	> 0.9 typ
Efficiency	0.87
Max. Current 115V/230V	17A
Input Fuse (6.3x32mm)	2 x T20A
<b>Outputs</b>	3 isolated outputs
Charging curves	9 programs, position selected by dip switch
Charging curve	IUUo 3 modes
Voltage share	+/-2%
Ripple	< 1% (BW < 20MHz)
Output Fuse (auto. mini)	5 x F25A
<b>Display</b>	LED display or optional touch multi-colour Touchview
Operating Temperature	-10°C to +55°C
Operating Humidity	10% to 95% (without condensation)
IP	IP22
Ventilation	Forced fan adjustable speed cooling
Safety	EN 60335-1
EMC	EN 55016, IEC 61000
Housing	Powder coated aluminium
Mounting	Wall mounted 4 x M4 screws
Dimensions	346 x 358 x 196 mm
Weight	11.5 Kg
AC Connection	3-point cage terminal 10mm <sup>2</sup> max
DC Terminal	4 M8 terminals
Output alarm contact	1A 30V NO
<b>Battery temp. sensor</b>	2-point 1,5 mm <sup>2</sup> cage terminal
External touch screen control panel (Touchview)	RJ45
CAN Bus connection	2 Micro-Fit & RJ11



**Part No.** 399180    **Model** 24V 100A

Proudly distributed by:



16 Parkinson Lane  
O'Connor WA 6163  
Australia

**Phone** +61 8 9331 3100  
**Fax** +61 8 9331 5150  
**Email** [mail@amelec.com.au](mailto:mail@amelec.com.au)  
**Web** [www.amelec.com.au](http://www.amelec.com.au)