

# Dolphin

## premium

### 12V 25A Charger

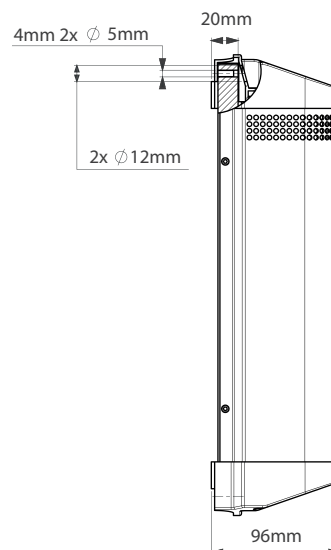
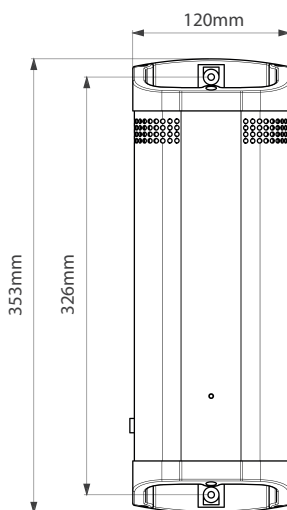


Plug and Play Battery Charger

**Protection:**

Output overload  
Excessive internal temperature  
Charging voltage too high  
Reverse battery polarity (fuse)

Input Voltage	115V / 230V (+/- 15%) Automatic Switchover
Frequency	50Hz / 60Hz (+/-10%)
Cos	0.9 typ
Efficiency	80% typ
Max. Current 115V/230V	4A / 2A
Input Fuse (5x20mm)	T6A 250V
Outputs	3 isolated outputs
Charging curves	4 programs, position selected by dip switch NEW - one of which is LiFeSO4 with integrated BMS - IUUo + weekly automatic equalisation
Charging curve	IUUo + weekly automatic equalisation
Weekly equalisation	Automatic
Voltage share	+/-2%
Ripple	< 1% pp (BW < 20MHz)
Output Fuse (auto. mini)	2 x F15A 32V
Display	Tricolour LED
Night/Silent Mode	Manual switch
Operating Temperature	-10°C to +50°C
Operating Humidity	10% to 90% (without condensation)
Ventilation	Forced fan cooling
Security	EN60335-2-29 (2002)
Housing	Powder coated aluminium
Mounting	2 screws 4mm
Input terminals	20A 230V, 4mm <sup>2</sup> max WINSTA - WAGO 770.813 / G11-000
Battery terminal	40A 630V, 10mm <sup>2</sup> max PHOENIX CONTACT PC6-16/4-G1F,16
CAN BUS	No
Dimensions	96 x 120 x 353 mm
Weight	1,90 Kg



**Part No.** 399020    **Model** 12V 25A

Proudly distributed by:



16 Parkinson Lane  
O'Connor WA 6163  
Australia

**Phone** +61 8 9331 3100  
**Fax** +61 8 9331 5150  
**Email** [mail@amelec.com.au](mailto:mail@amelec.com.au)  
**Web** [www.amelec.com.au](http://www.amelec.com.au)